

I/O Module

I/O Card, Relay Card

Label, Terminals Descriptions, Wiring

Product Insert

R912006326

Edition 01

I/O Card Terminals Label



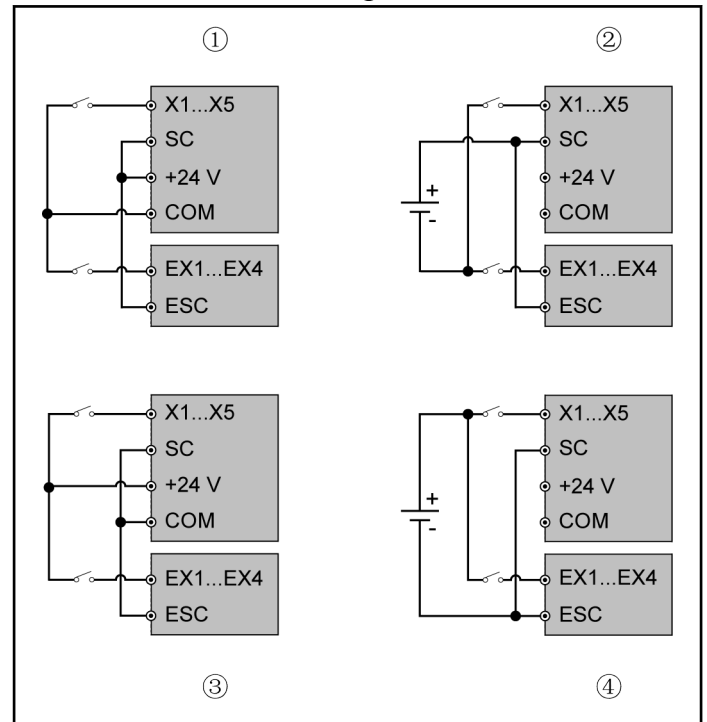
I/O card terminals label

I/O Card Terminals Descriptions

Terminal	Signal requirement	Description
EX1... EX4	Multi-function digital inputs: 24 VDC, 8 mA / 12 VDC, 4 mA with opto-electric couplers	See Group H8
ESC	-	Isolation optocouplers shared connection
EAI	Analog voltage / current inputs Voltage input range: -10...10 V* Input impedance: 40 kΩ Resolution: 1/1,000 Current input range: 0/4...20 mA Input impedance: 499 Ω Resolution: 1/1,000	The power supply is +5 V and +10 V from the fre- quency converter See Group H8
GND	-	Analog terminals shared connection, isolated from ESC
EAO	Voltage output: 0/2...10 V Current output: 0/4...20 mA Output impedance 138 Ω	See Group H8
EDOa, EDOb	Open collector output: Max. 30 VDC, 50 mA	See Group H8 ESC is reference
ETa, ETC	Rated capacity of relay outputs: 250 VAC, 3 A; 30 VDC, 3 A	See Group H8
ETb		ETb is the relay outputs shared connection

* For -10 V input, external power supply must be provided. A frequency converter **ONLY** provides +5 V and +10 V

I/O Card Terminals Wiring



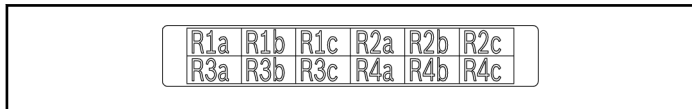
I/O card terminals wiring

- ①: NPN with internal power supply
- ②: NPN with external power supply
- ③: PNP with internal power supply
- ④: PNP with external power supply



- ▶ X1...X5, SC, +24 V, COM are control terminals of the frequency converter, EX1...EX4, ESC are control terminals of the I/O card.
- ▶ Details on wiring of EAI, EAO, EDOa and EDOb, see **Quick Start Guide**.

Relay Card Terminals Label



Relay card terminals label

Relay Card Terminals Descriptions

Terminal	Signal requirement	Description
R1a, R1c, R1b	Rated capacity: 250 VAC, 3 A 30 VDC, 3 A	See Group H9 R1b, R2b, R3b, R4b are relay outputs shared connections
R2a, R2c, R2b		
R3a, R3c, R3b		
R4a, R4c, R4b		



Details on wiring and noise suppression, see **Quick Start Guide.**



Copyright

© Bosch Rexroth (Xi'an) Electric Drives and Controls Co., Ltd. 2015
 This document, as well as the data, specifications and other information set forth in it, are the exclusive property of Bosch Rexroth (Xi'an) Electric Drives and Controls Co., Ltd. It may not be reproduced or given to third parties without its consent.